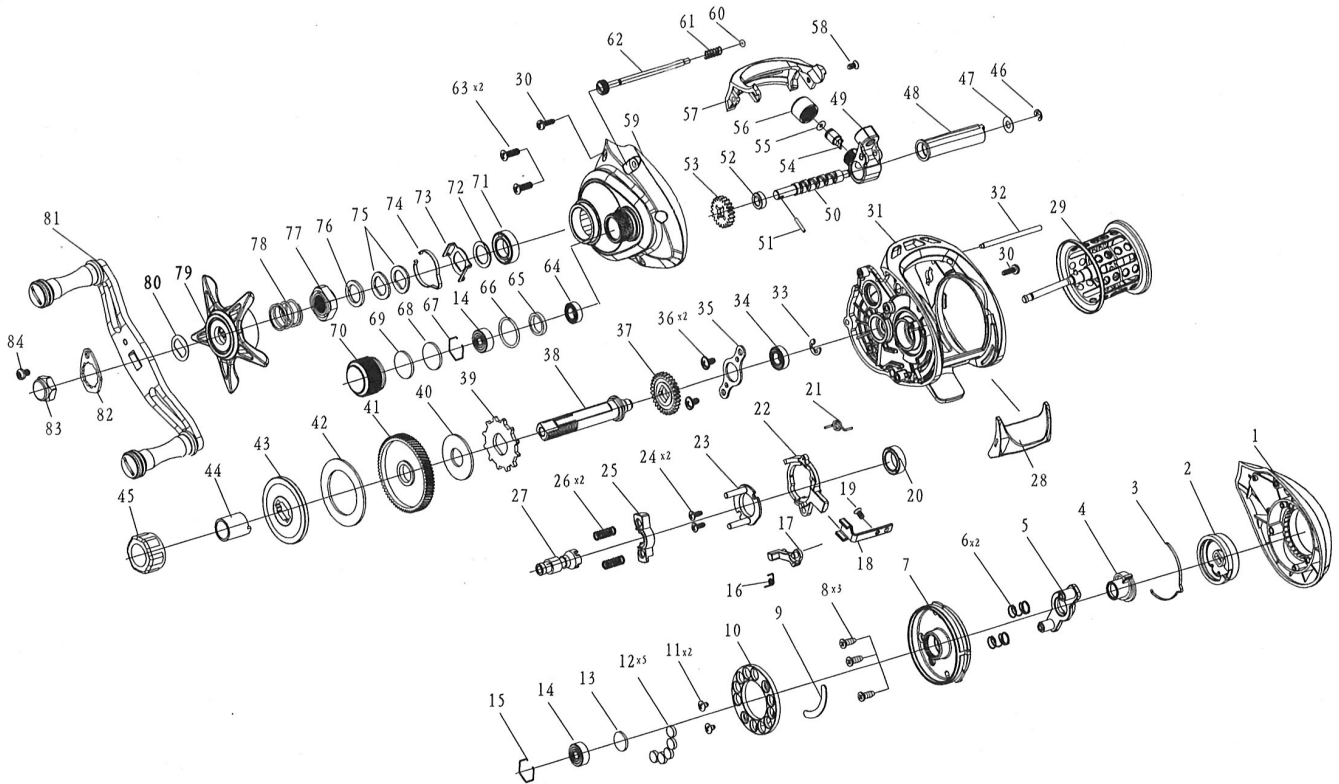


SEAHAWK®

LiteCAST 103HSL



Number of Parts

- 1. Left Side Plate
- 2. Drag Knob
- 3. Click Spring
- 4. Cam
- 5. Cam
- 6. Spring
- 7. Brake Plate
- 8. Screw
- 9. Magnet Plate
- 10. Magnet Holder
- 11. Screw
- 12. Magnet
- 13. Washer
- 14. Ball Bearing
- 15. Ring
- 16. Spring
- 17. Kick Lever
- 18. Connecting Strip
- 19. Screw
- 20. Ball Bearing
- 21. Clutch Cam Spring
- 22. Clutch Cam
- 23. Clutch Rest
- 24. Screw
- 25. Clutch
- 26. Spring
- 27. Pinion Gear
- 28. Clutch Lever
- 29. Spool Assembly
- 30. Screw
- 31. Frame Assembly
- 32. Level Wind Shift
- 33. Drive Gear Shaft Retainer

Number of Parts

- 34. Ball Bearing
- 35. Drive Gear Shaft Retainer
- 36. Screw
- 37. Oscillation Gear
- 38. Drive Shaft
- 39. Anti-Reverse Ratchet
- 40. Washer
- 41. Drive Gear
- 42. Washer
- 43. Key Washer
- 44. Sleeve
- 45. Roller Clutch
- 46. Gear Retainer
- 47. Washer
- 48. Level Wind Guard
- 49. Line Guide
- 50. Worm Shaft
- 51. Pin
- 52. Bushing
- 53. Worm Shaft Gear
- 54. Line Guide Pawl
- 55. Washer
- 56. Line Pawl Cap
- 57. Hood
- 58. Screw
- 59. Right Side Plate
- 60. O-Ring
- 61. Spring
- 62. Long Screw
- 63. Screw
- 64. Ball Bearing
- 65. Washer
- 66. O-Ring

Number of Parts

- 67. Ring
- 68. Washer
- 69. Washer
- 70. Cast Control Cap
- 71. Ball Bearing
- 72. Washer
- 73. Click Retainer
- 74. Leaf Spring
- 75. Drag Spring Washer
- 76. Washer
- 77. Nut
- 78. Spring
- 79. Star Drag
- 80. Key Washer
- 81. Handle Assembly
- 82. Handle Nut Plate
- 83. Handle Nut
- 84. Screw